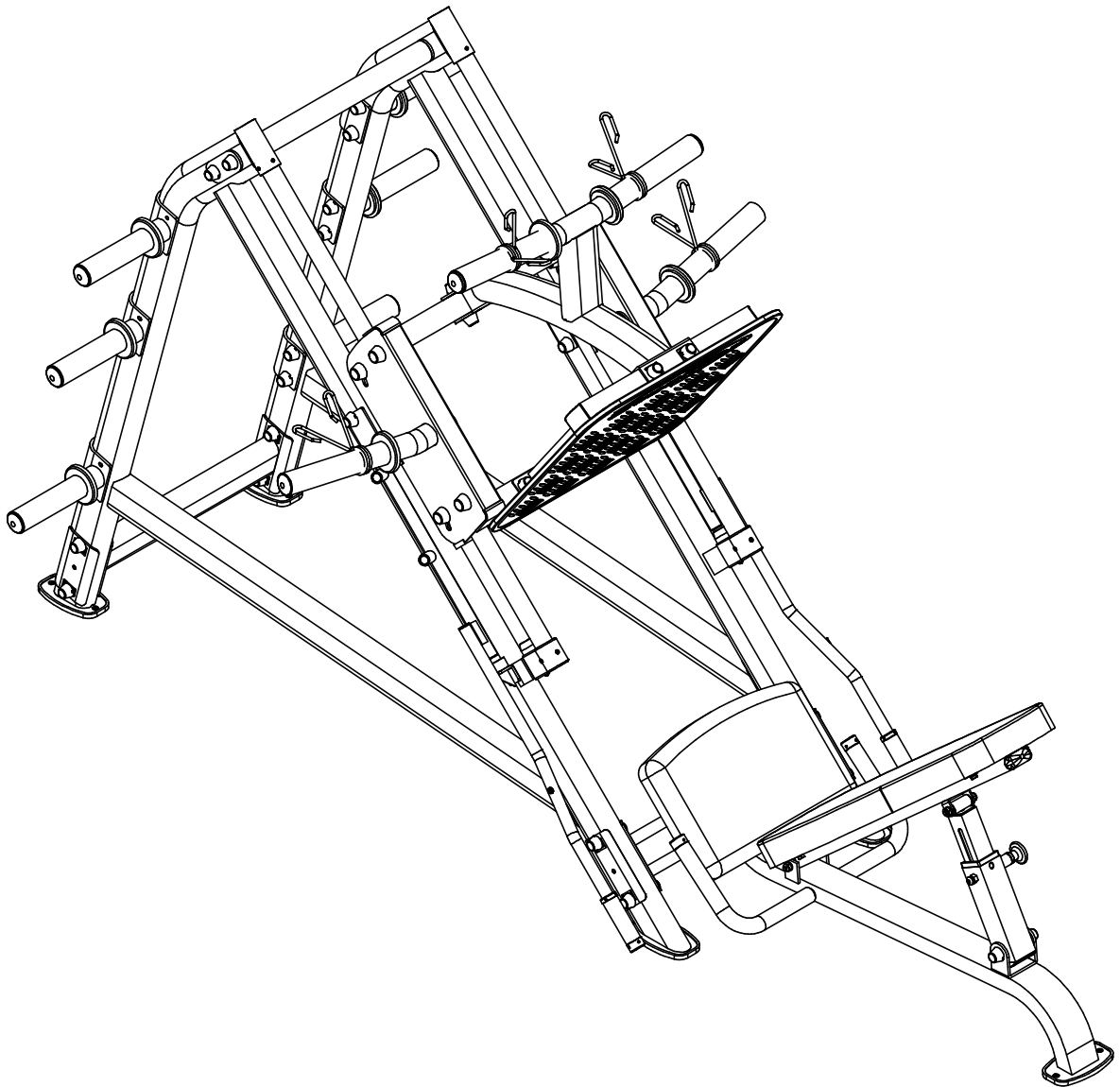




PLDP



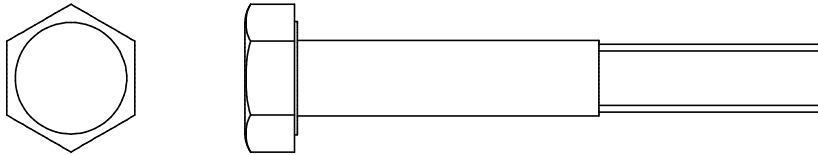
Assembly & Instructions
OWNER'S & MANUAL

PLDP HARDWARE
(shown in actual size)

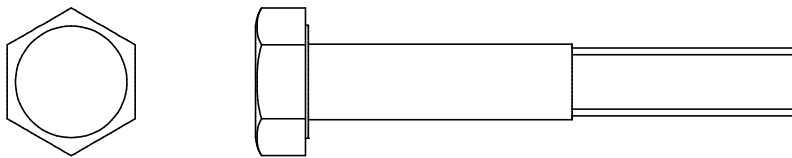
A1.M5X10L Round Cross Tapping Screw QTY.2



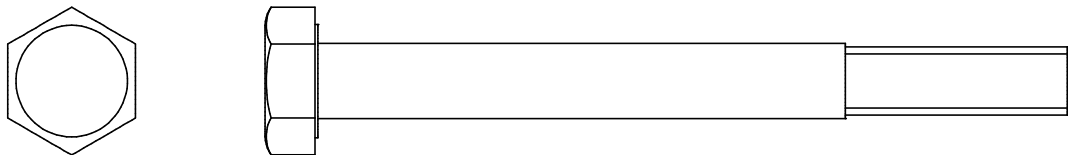
A2.M10X70L Hex Head Bolt Qty.20



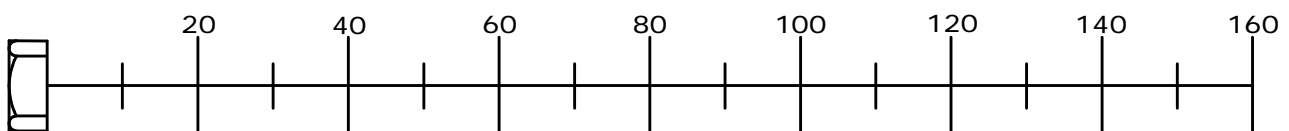
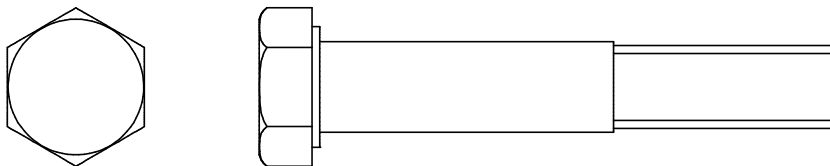
A3.M10X65L Hex Head Bolt Qty.12



A4.M10X100L Hex Head Bolt Qty.3



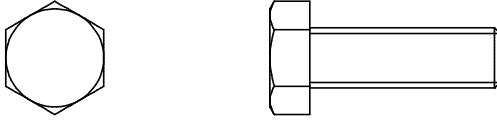
A5.M12X70L Hex Head Bolt (Pre-installed) Qty.8



PLDP HARDWARE

(shown in actual size)

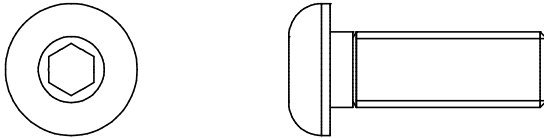
A7.M8X25L Hex Head Bolt Qty.6



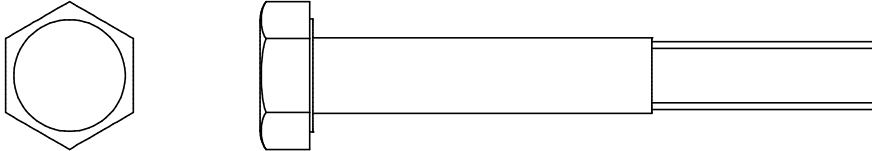
A8.M8X5L Sunk Screw (Pre-installed) Qty.8



A9.M10X30L Round Head Screw (Pre-installed) Qty.1



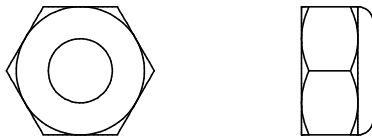
A10.M10X75L Hex Head Bolt Qty.2



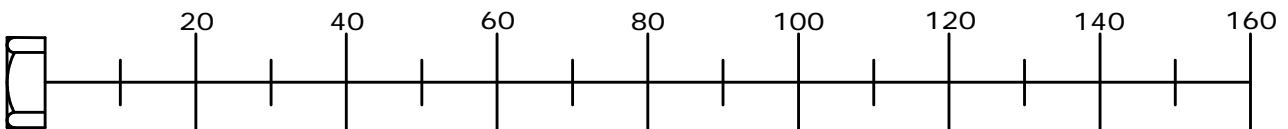
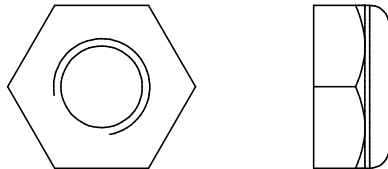
A11.M5X5L Sunk Screw (Pre-installed) Qty.12



B1.M10 Nylon Lock Nut Qty.25
(Pre-installed 4PCS)



B2.M12 Nylon Lock Nut (Pre-installed) Qty.4

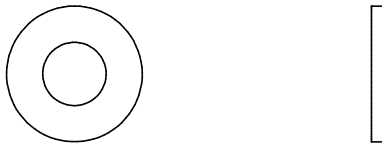


PLDP HARDWARE
(shown in actual size)

B3.M10 Nut (5T) (Pre-installed) Qty.1



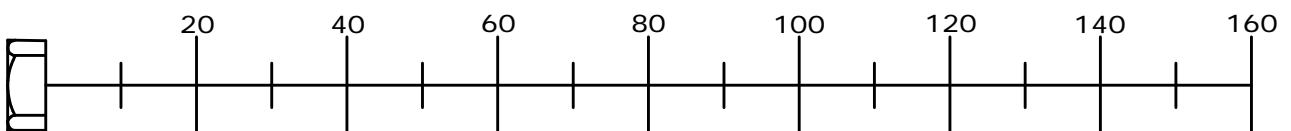
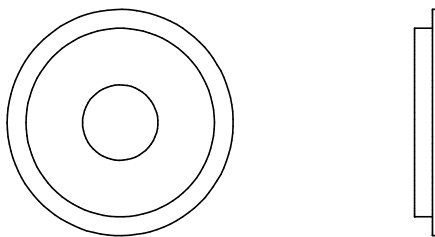
C1.M8 Washer (Ø18) Qty.6



C2.M8 Spring Washer Qty.6

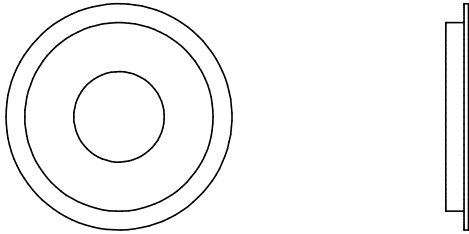


C3.M10 Plate Washer Qty.58

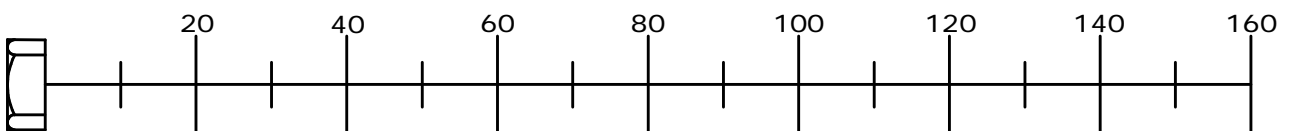
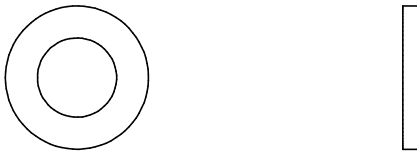


PLDP HARDWARE
(shown in actual size)

C4.M12 Plate Washer (Pre-installed) Qty.12

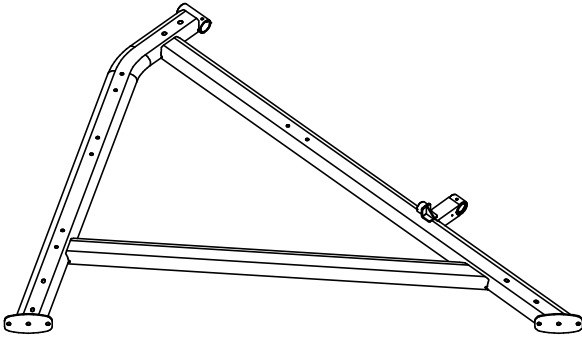


C5.M10 Washer (Ø19) (Pre-installed) Qty.4

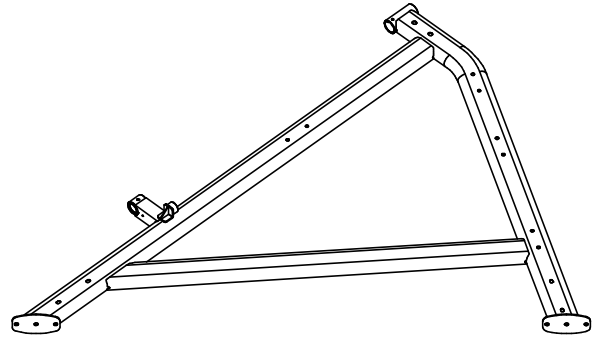


PLDP HARDWARE (shown in actual size)

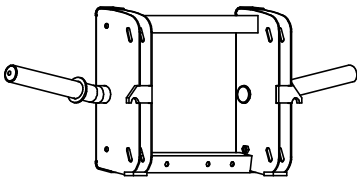
A[1PCS]



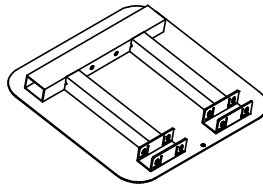
B[1PCS]



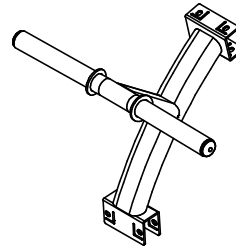
C[1PCS]



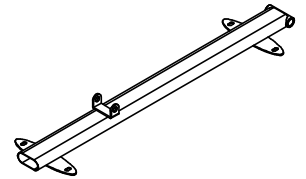
D[1PCS]



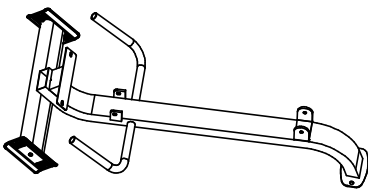
E[1PCS]



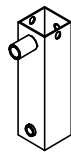
H[1PCS]



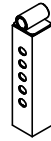
F[1PCS]



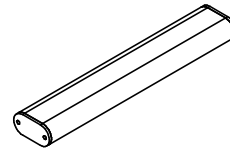
G[1PCS]



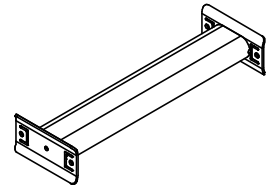
I[1PCS]



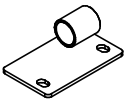
J[1PCS]



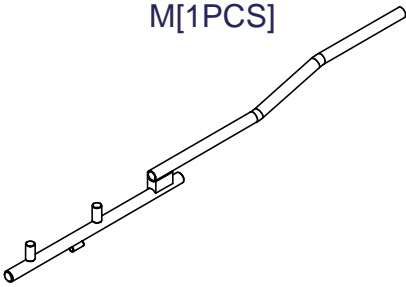
K[1PCS]



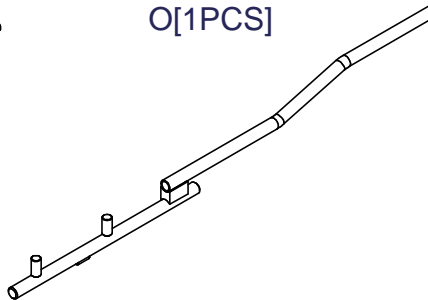
N[1PCS]



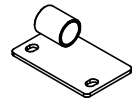
M[1PCS]



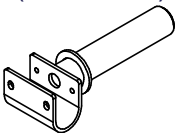
O[1PCS]



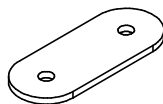
P[1PCS]



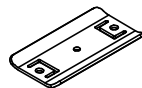
Q[6PCS]
(6730-005)



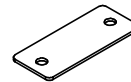
S[2PCS]
(8342-048)



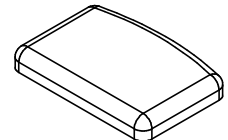
T[4PCS]
(8323-188)



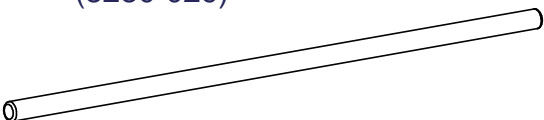
U[2PCS]
(8312-165)



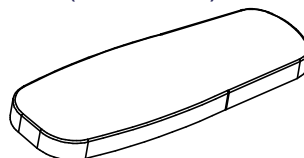
Y[1PCS]
(9121-104)



V[2PCS]
(8280-029)



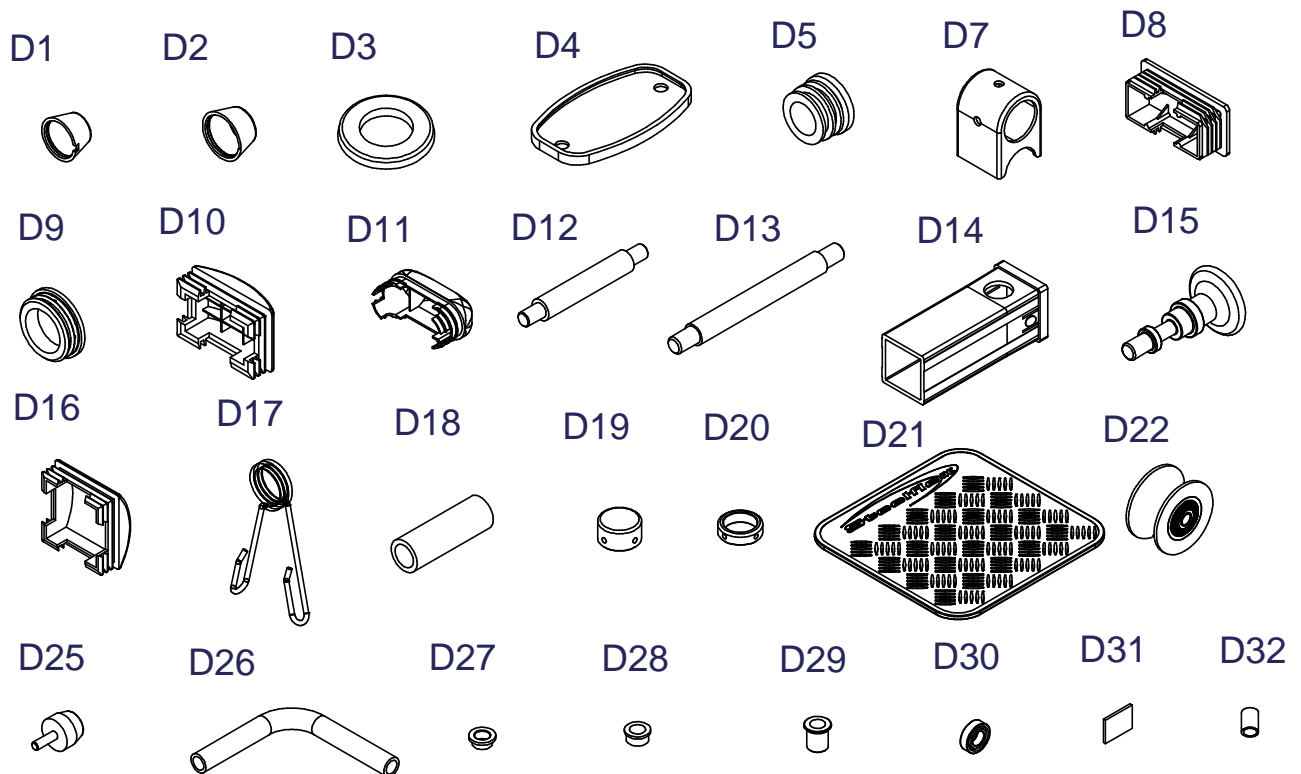
Z[1PCS]
(9111-082)

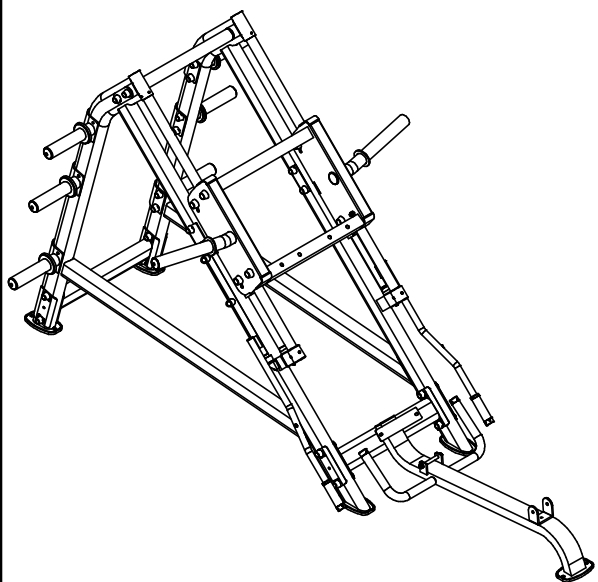


PLDP HARDWARE

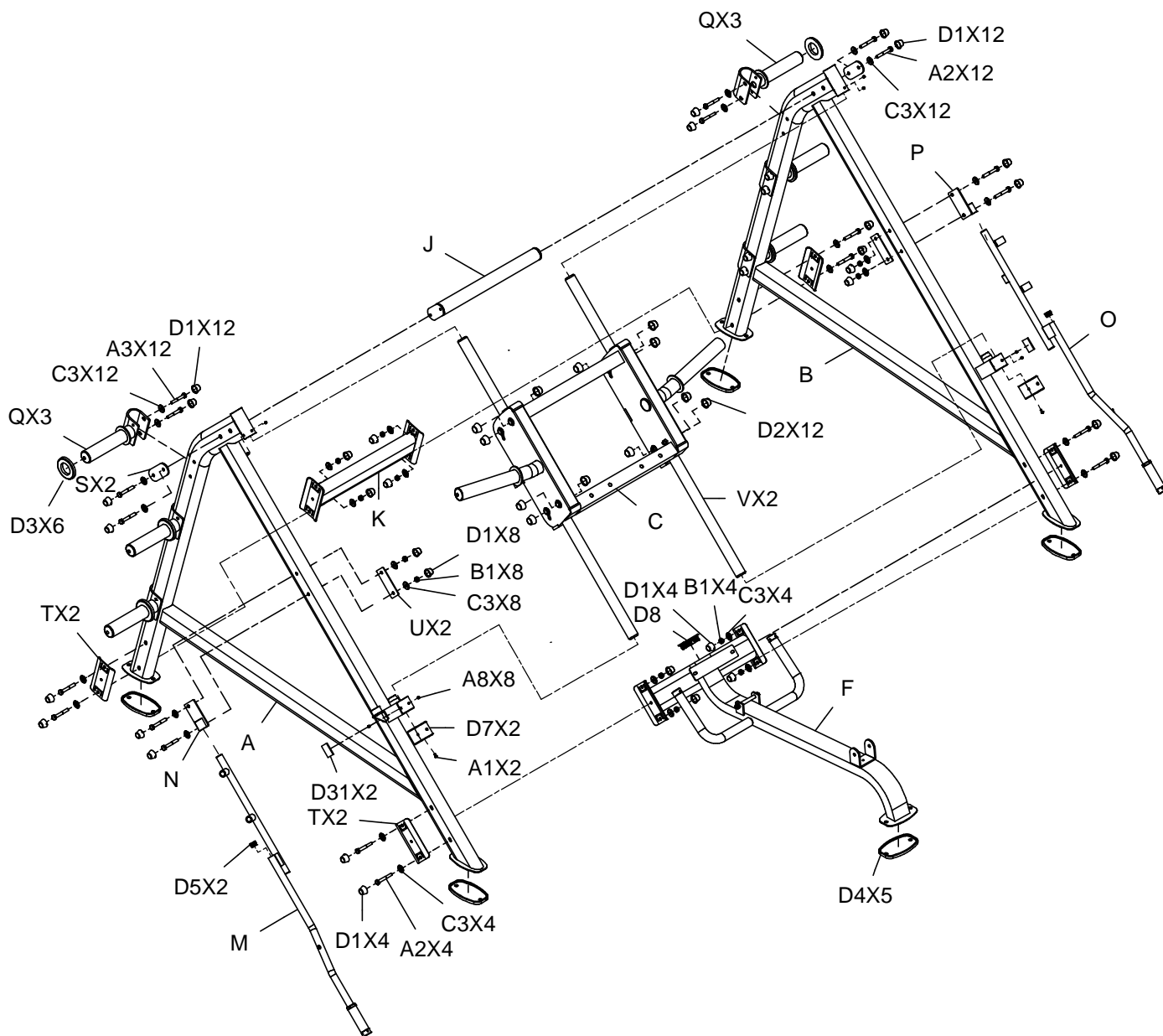
(shown in actual size)

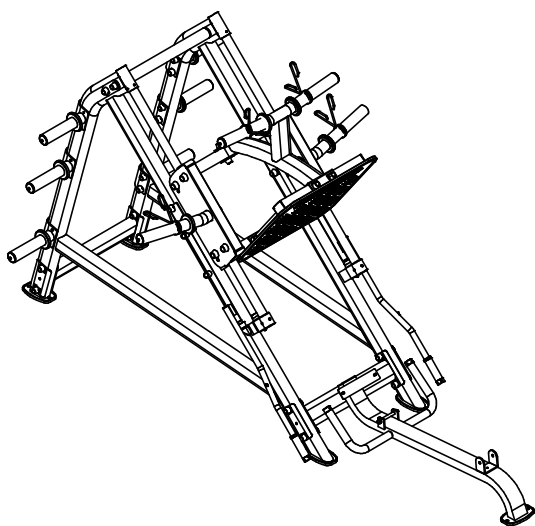
D1.M10 Bolt Cap.....	58PCS
D2.M12 Bolt Cap.....	12PCS
D3.Ø90X10T Rubber Dount (9310-016).....	10PCS
D4.Rubber Pad (9310-076).....	5PCS
D5.Ø1"Round End Cap(9211-016).....	2PCS
D7.Bushing(9212-069).....	2PCS
D8.Ø40X80 End Cap(9211-010).....	1PCS
D9.Ø50 Round End Cap(9211-020).....	2PCS
D10.□50X75 End Cap(9211-084).....	2PCS
D11.End Cap(9261-061).....	1PCS
D12.Double-edged Filature(8260-006)(Pre-installed).....	1PCS
D13.Double-edged Filature(8260-030)(Pre-installed).....	1PCS
D14.Double Deck Set(9211-047).....	1PCS
D15.Adjust Team(8250-065G)(Pre-installed).....	1PCS
D16.□60X2T End Cap(9211-092).....	1PCS
D17.Pinch Cock(OC-06).....	4PCS
D18.Impregnated With Handle(9162-165)(Pre-installed).....	2PCS
D19.Chrome Collar (8890-061)(Pre-installed).....	4PCS
D20.End Closure(8130-254)(Pre-installed).....	2PCS
D21.Foot Treadle(9310-095)(Pre-installed).....	1PCS
D22.Guide Wheel(9266-009)(Pre-installed).....	8PCS
D25.Blocking pad(9310-018)(Pre-installed).....	2PCS
D26.Impregnated with handle(9162-153)(Pre-installed).....	2PCS
D27.Copper Bush(8520-011)(Pre-installed).....	2PCS
D28.Copper Bush(8520-001)(Pre-installed).....	4PCS
D29.Rigid Bearing(8530-024) (Pre-installed).....	16PCS
D30.Bearing(8510-012)(Pre-installed).....	16PCS
D31.Rubber Pad(9310-109).....	2PCS
D32.Immersed Tube(9162-167)(Pre-installed).....	4PCS



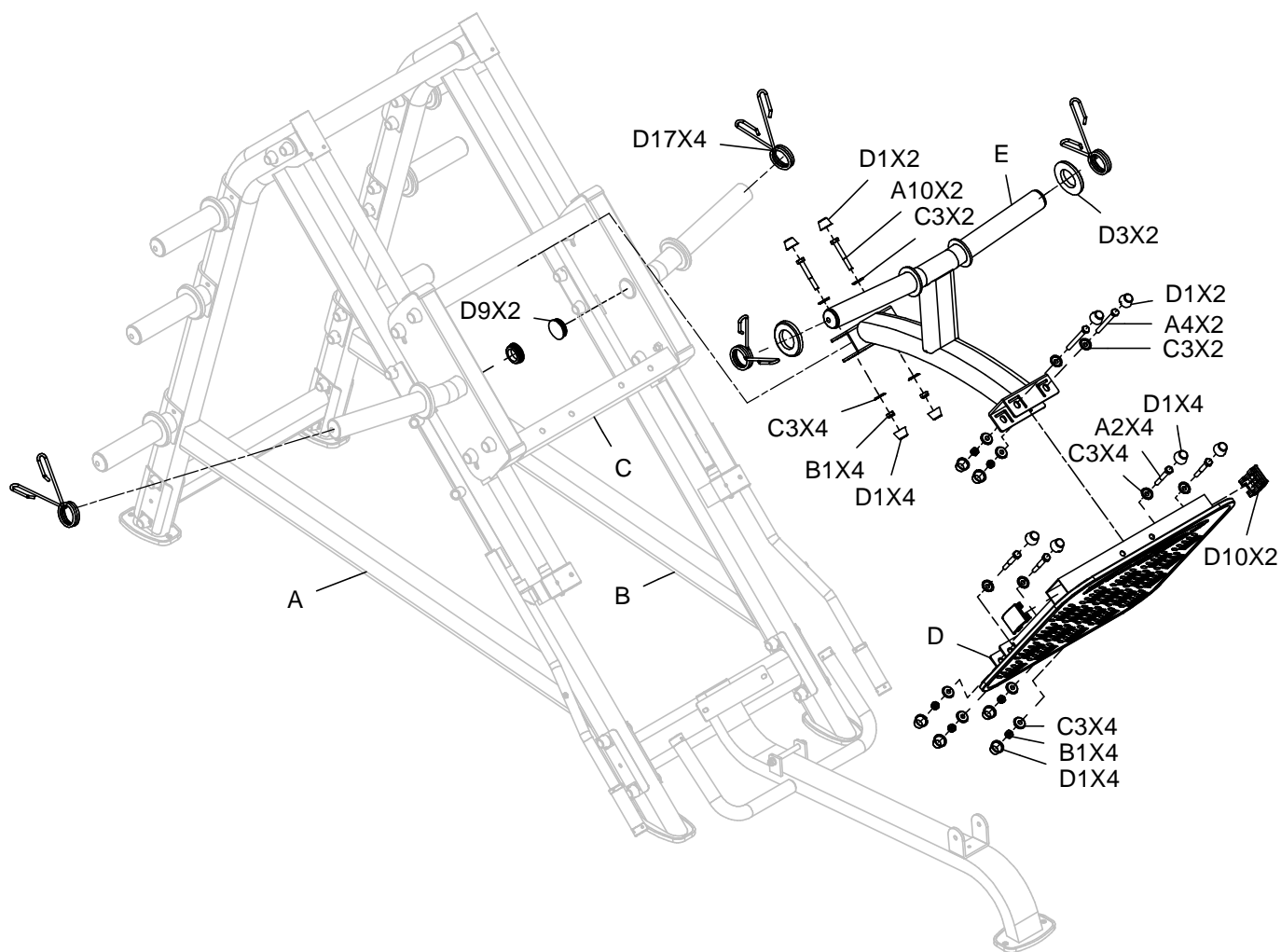


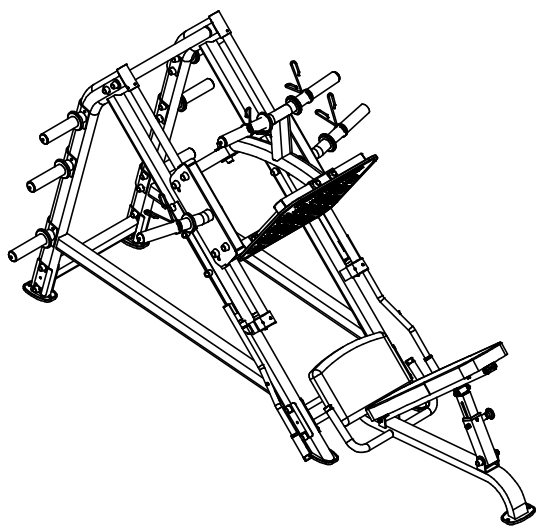
Above shows STEP 1 assembled and completed





Above shows STEP assembled and completed





Above shows STEP
assembled and completed

