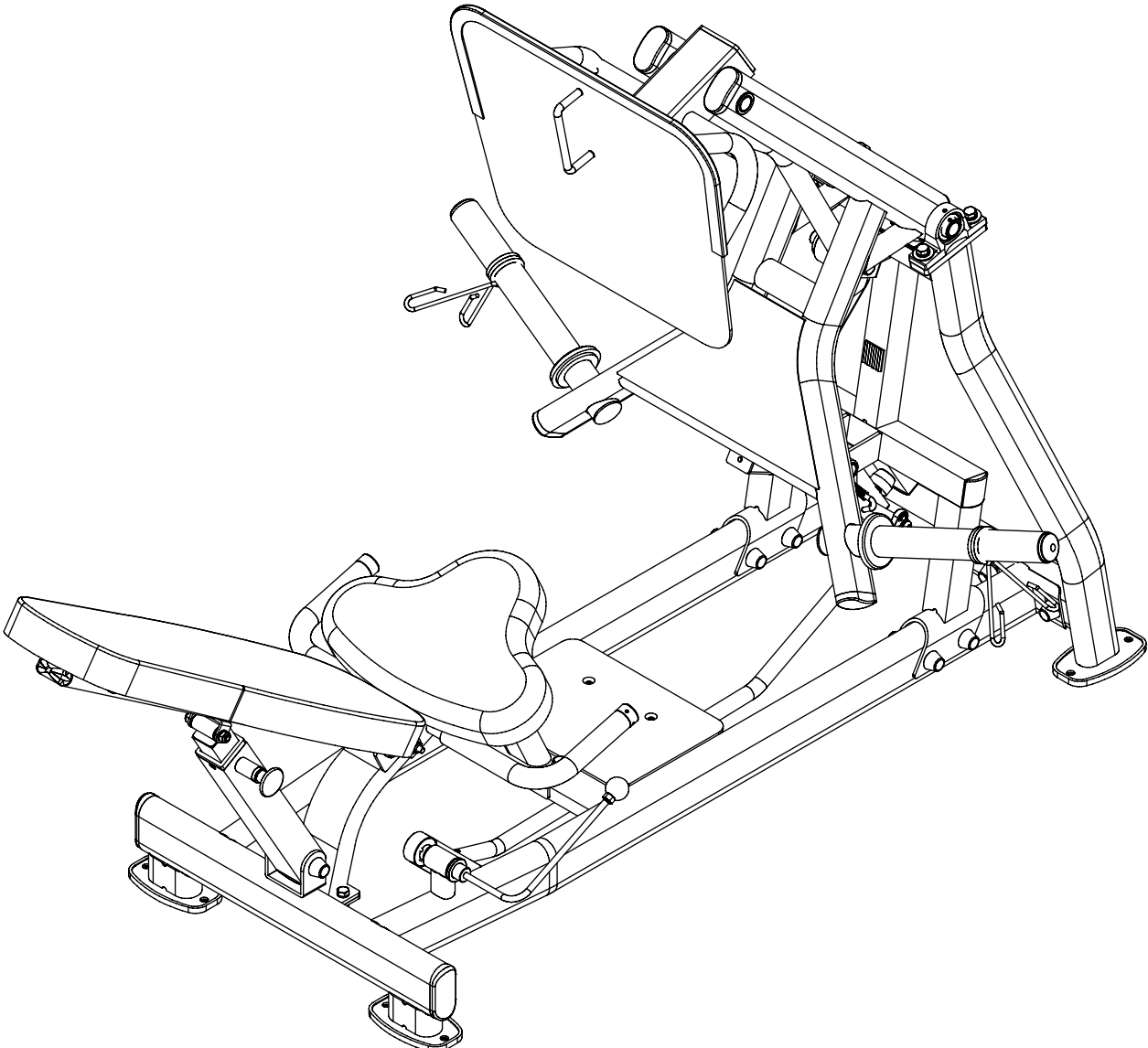


PLL.P.1

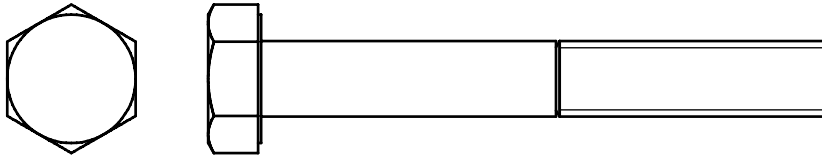


Assembly & Instructions
OWNER'S & MANUAL

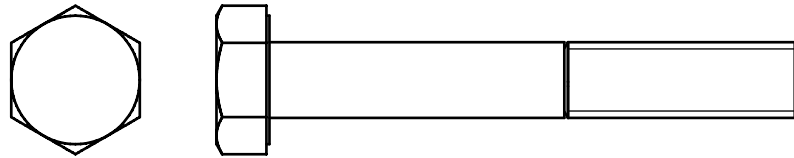
PLL.P.1 HARDWARE

shown in actual size

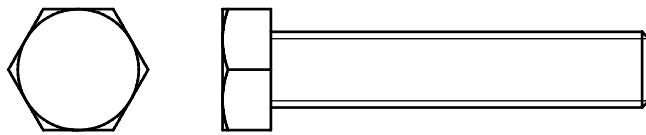
A1.M10X75 Hex Head Bolt Qty.4



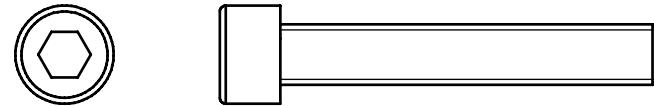
A2.M10X70 Hex Head Bolt Qty.4



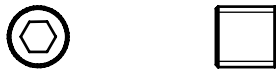
A3.M10X50 Hex Head Bolt (Full Thread) Qty.2



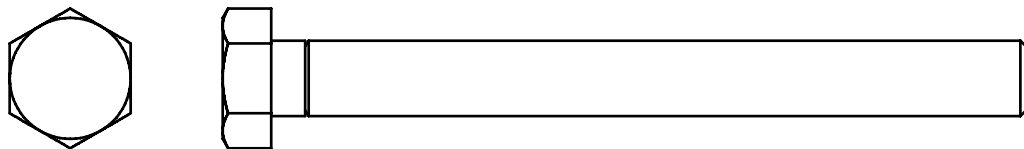
A4.M8X50 Socket Screw (Full Thread) Qty.2



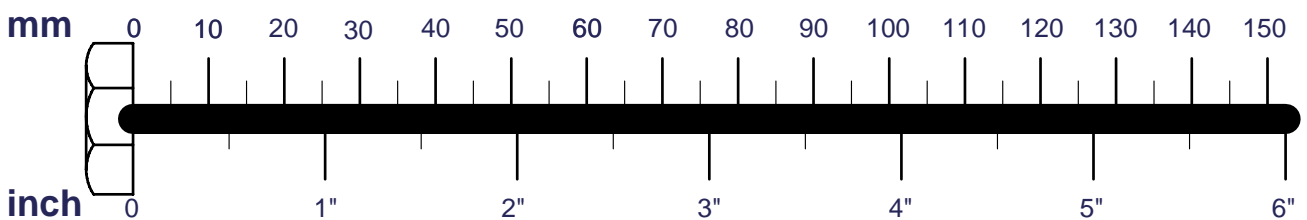
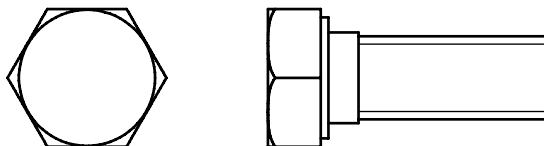
A5.M8X8 Grub Screw pre-installed Qty.7



A6.M10X100 Hex Head Bolt Qty.3



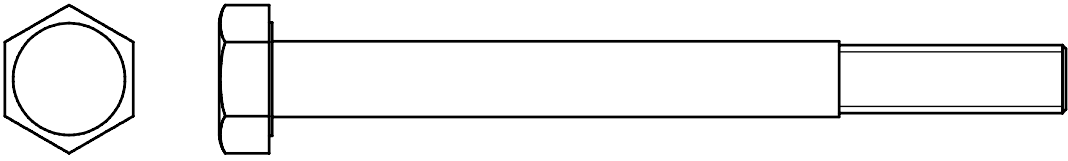
A7.M12X30 Hex Head Bolt Qty.4



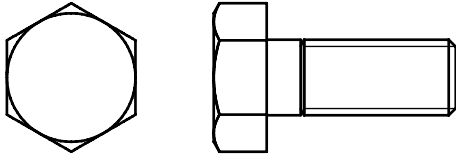
PLL.P.1 HARDWARE

shown in actual size

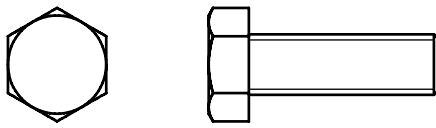
A8.M10X105 Hex Head Bolt Qty.2



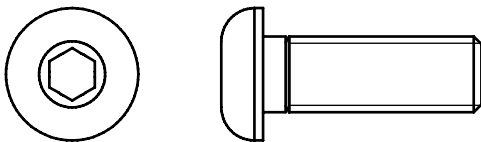
A9.M10X25 Hex Head Bolt Qty.2



A11.M8X25 Hex Head Bolt Qty.6



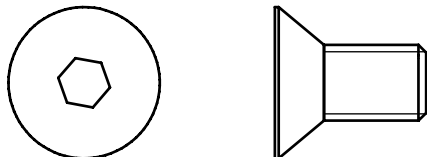
A12.M10X30 Allen Screw (Full Thread) pre-installed Qty.3



A13.M8X25 Allen Screw (Full Thread) pre-installed Qty.1



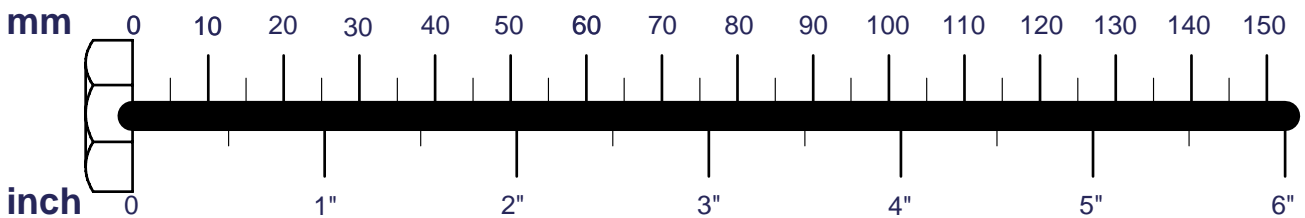
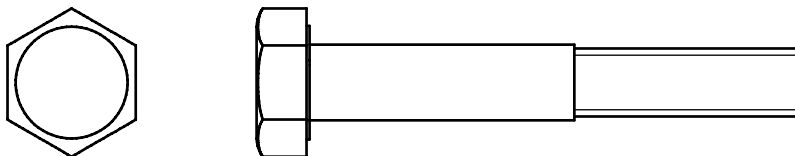
A14.M6X20 Taper Screw (Full Thread) Qty.2



A15.M5X5 Grub Screw pre-installed Qty.4



A17.M10X65 Hex Head Bolt Qty.2

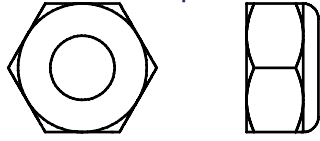


PLLP.1 HARDWARE

shown in actual size

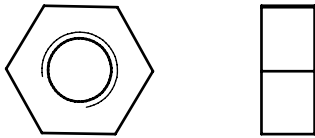
B1.M10 Nylon Lock Nut Qty.23

pre-installed 4pcs



B2.3/8" Lock Nut Qty.2

pre-installed



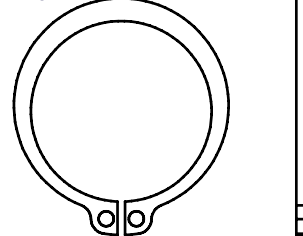
B3.M10 Nock Nut Qty.3

pre-installed(5T 1PCS)

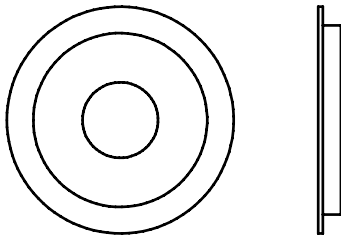


C9.Tach (Ø25) Qty.1

pre-installed

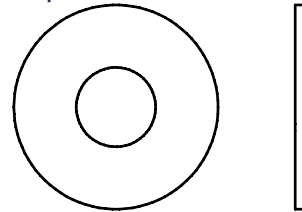


C1.M10 Plate Washer (Ø30) Qty.28



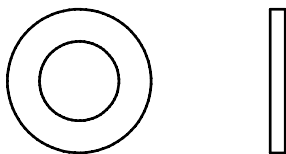
C2.M10 Washer (Ø27) Qty.3

pre-installed

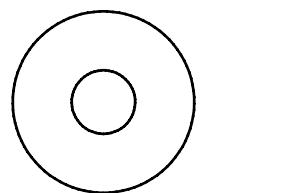


C3.M10 Washer (Ø19) Qty.14

pre-installed 4pcs



C4.M8 Washer (Ø24) Qty.6

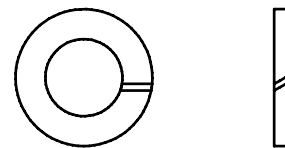


C5.M8 Spring Washer Qty.6

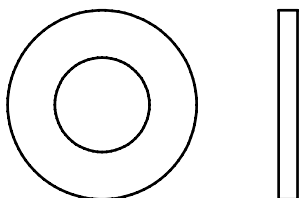


C6.M10 Spring Washer Qty.2

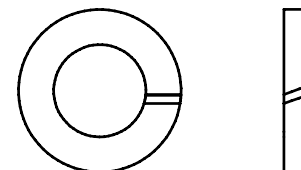
pre-installed



C7.M12 Washer (Ø24) Qty.4

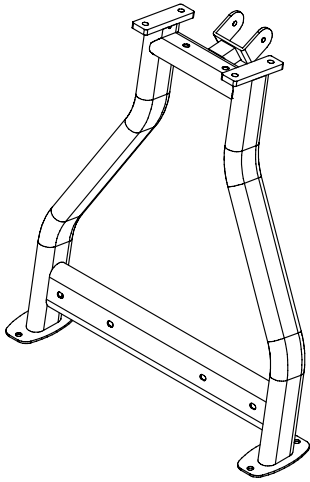


C8.M12 Spring Washer Qty.4

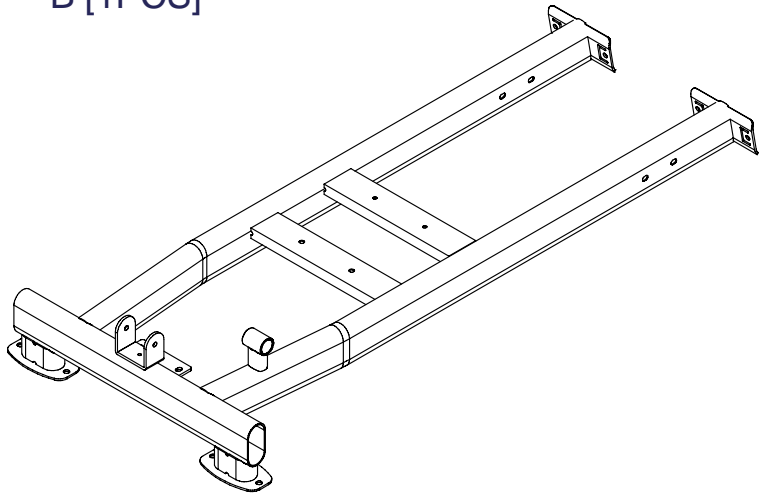


PLL.P.1 PARTS

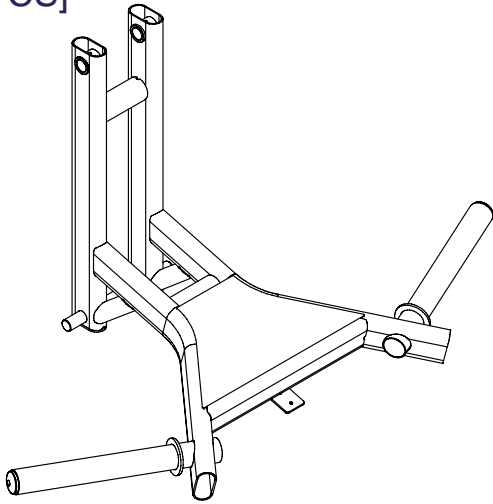
A [1PCS]



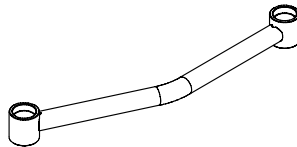
B [1PCS]



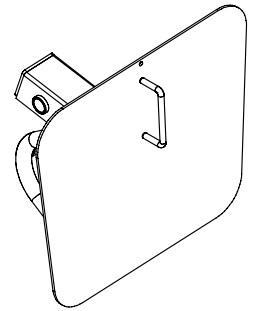
C [1PCS]



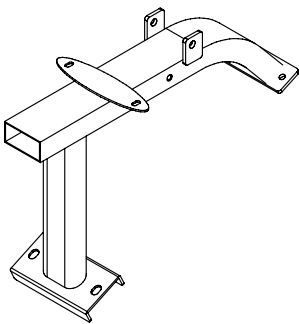
D [1PCS]



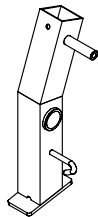
E [1PCS]



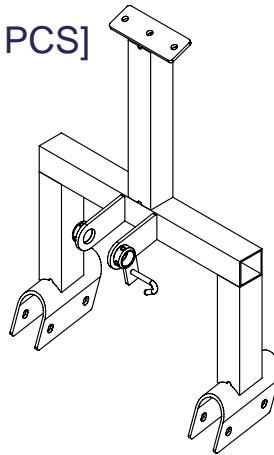
F [1PCS]



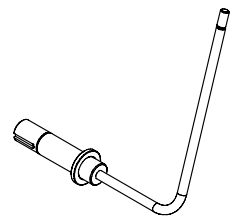
H [1PCS]



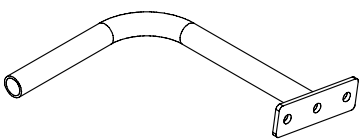
I [1PCS]



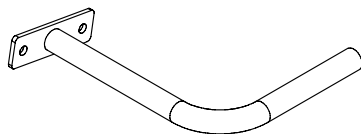
J [1PCS]



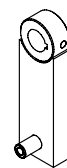
K [1PCS]



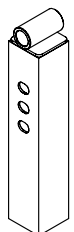
O [1PCS]



N [1PCS]

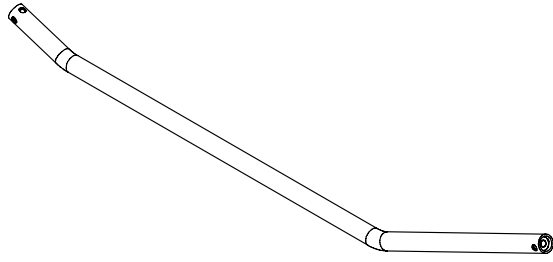


Q [1PCS]

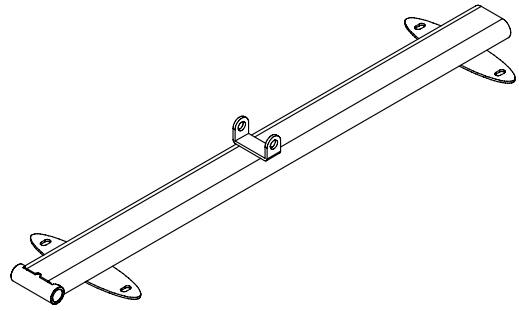


PLL.P.1 PARTS

L [1PCS]



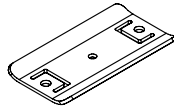
P [1PCS]



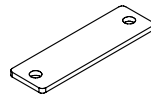
W [1PCS]



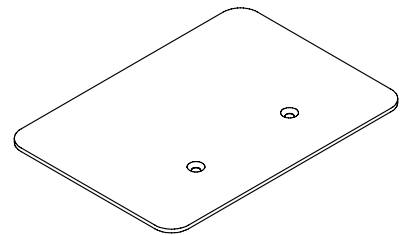
X [2PCS]
8323188



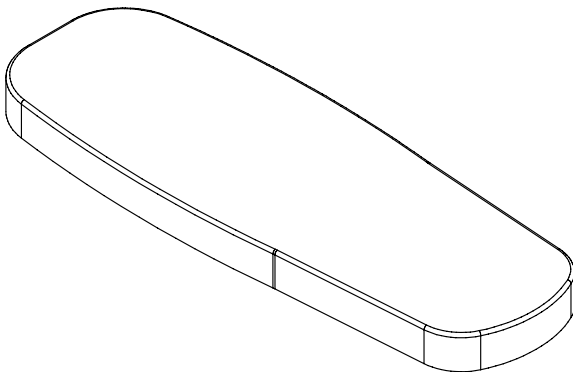
Y [1PCS]
8312067



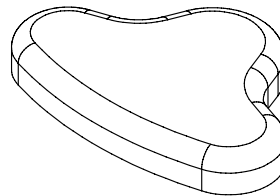
V [1PCS]
8370052



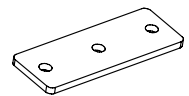
R [1PCS]
9111082



T [1PCS]
9144019

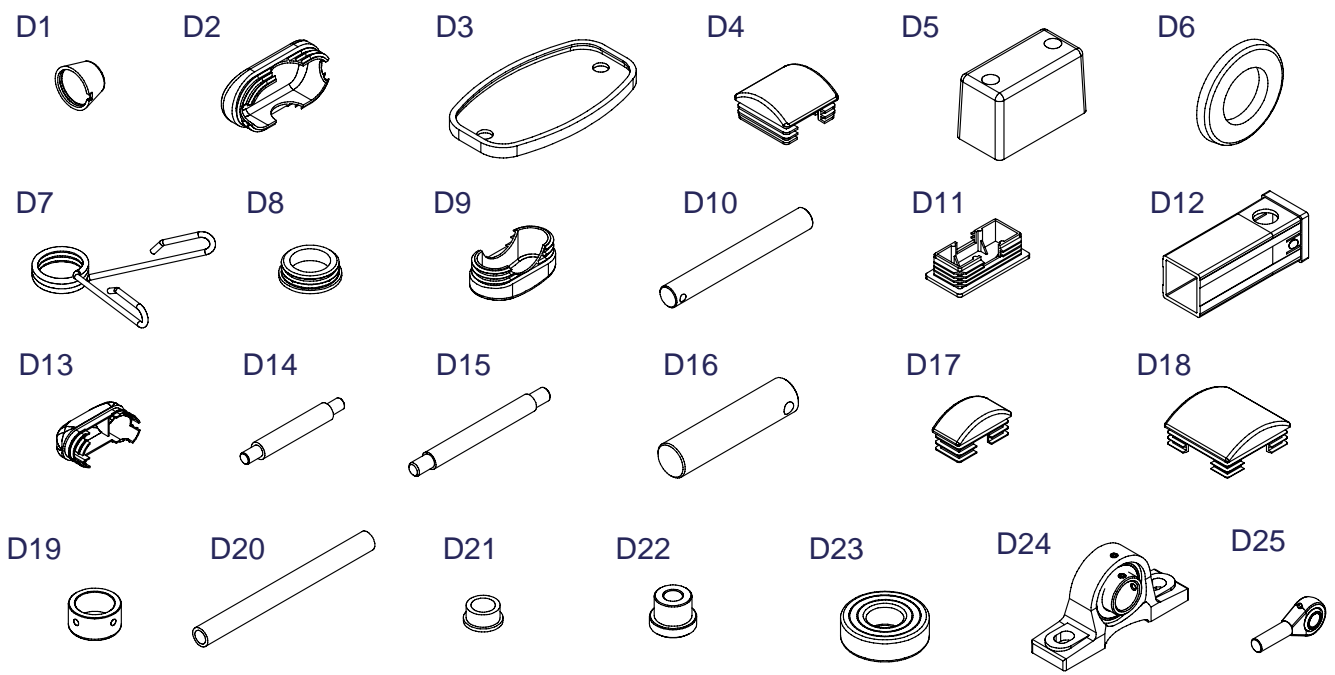
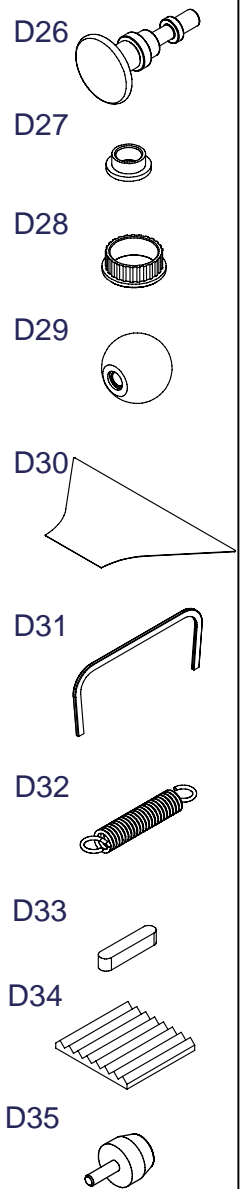


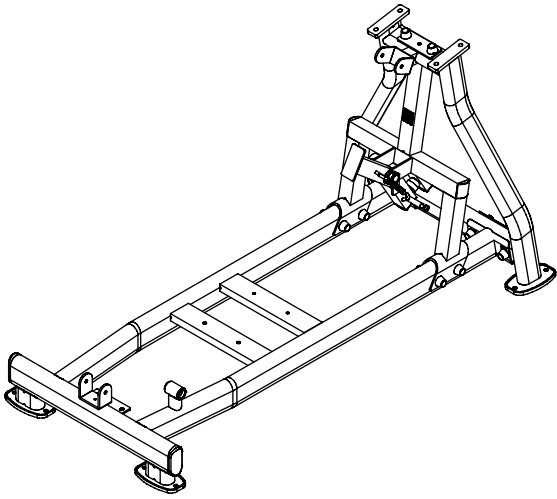
S [1PCS]
8312-015



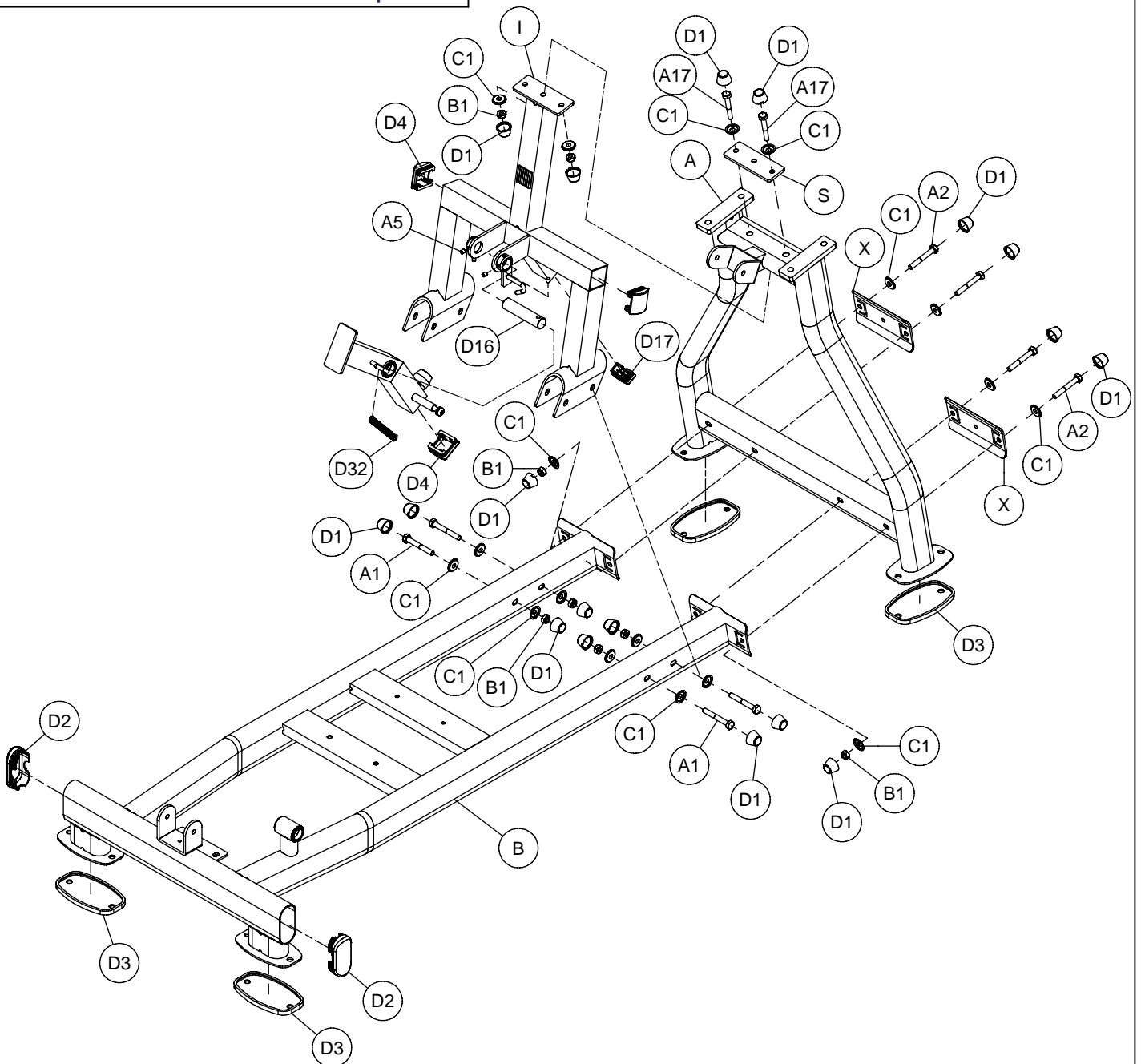
PLL.P.1 PARTS

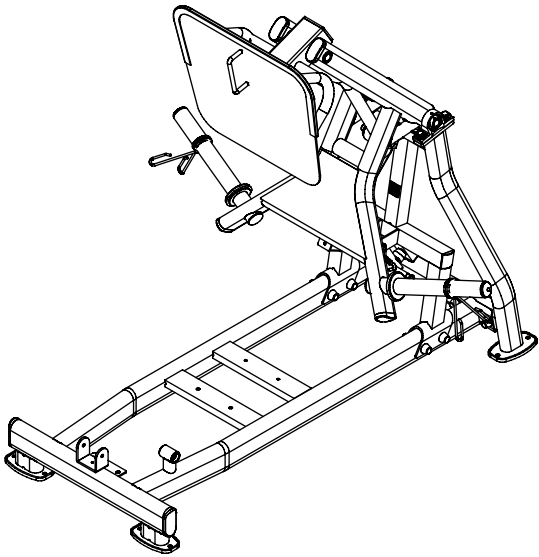
D1.Cap Sleeve (9212-026).....	[28PCS]	
D2.50X100 End Cap (9211-114).....	[2PCS]	
D3.Rubber Insert (9310-076).....	[4PCS]	
D4.50X1.8 End Cap (9211-087).....	[3PCS]	
D5.Block Rubber (9310-077).....	[1PCS]	
D6.Rubber Dount(9310-016).....	[2PCS]	
D7.Pinch Cock (OC-06).....	[2PCS]	
D8.Ø50 End Cap (9211-020).....	[2PCS]	
D9.40X80 End Cap (9211-113) pre-installed 2pcs.....	[4PCS]	
D10.Shaft (8220-068) pre-installed.....	[1PCS]	
D11.40x80 End Cap (9211-010).....	[1PCS]	
D12.Nylon Bushing (9211-047).....	[1PCS]	
D13.30X70 End Cap (9261-061).....	[1PCS]	
D14.Double Thread screw (8260-006) pre-installed.....	[1PCS]	
D15.Double Thread screw (8260-030) pre-installed.....	[1PCS]	
D16.Shaft (8220-226) pre-installed.....	[1PCS]	
D17.25X50 End Cap (9211-086).....	[2PCS]	
D18.60X60 End Cap (9211-092).....	[1PCS]	
D19.Chrone Collar (8890-061) pre-installed.....	[2PCS]	
D20.Foam Grip (9162-023) pre-installed.....	[2PCS]	
D21.Oilite Bushing (8520-001) pre-installed.....	[4PCS]	
D22.Fulley Spacer (8120-082) pre-installed.....	[4PCS]	
D23.Bearing (8510-020) pre-installed.....	[4PCS]	
D24.Bearing(8510-005) pre-installed.....	[2PCS]	
D25.Bearing(8510-025) pre-installed.....	[2PCS]	
D26.1/2"X38 Pop Pin(8250-065G) pre-installed.....	[1PCS]	
D27.Oilite Bushing (8520-011) pre-installed.....	[2PCS]	
D28.Oilite Bushing(8520-005) pre-installed.....	[6PCS]	
D29.Railing (9215-008) pre-installed.....	[1PCS]	
D30.Sticker (9630-219).....	[1PCS]	
D31.Rubber Pad (9310-087) pre-installed.....	[1PCS]	
D32.Compression Spring (8840-018).....	[1PCS]	
D33.Key 6x6x30 pre-installed.....	[1PCS]	
D34.Rubber Pad (9310-001) pre-installed.....	[1PCS]	
D35.Rubber Stopper (9310-018) pre-installed.....	[1PCS]	



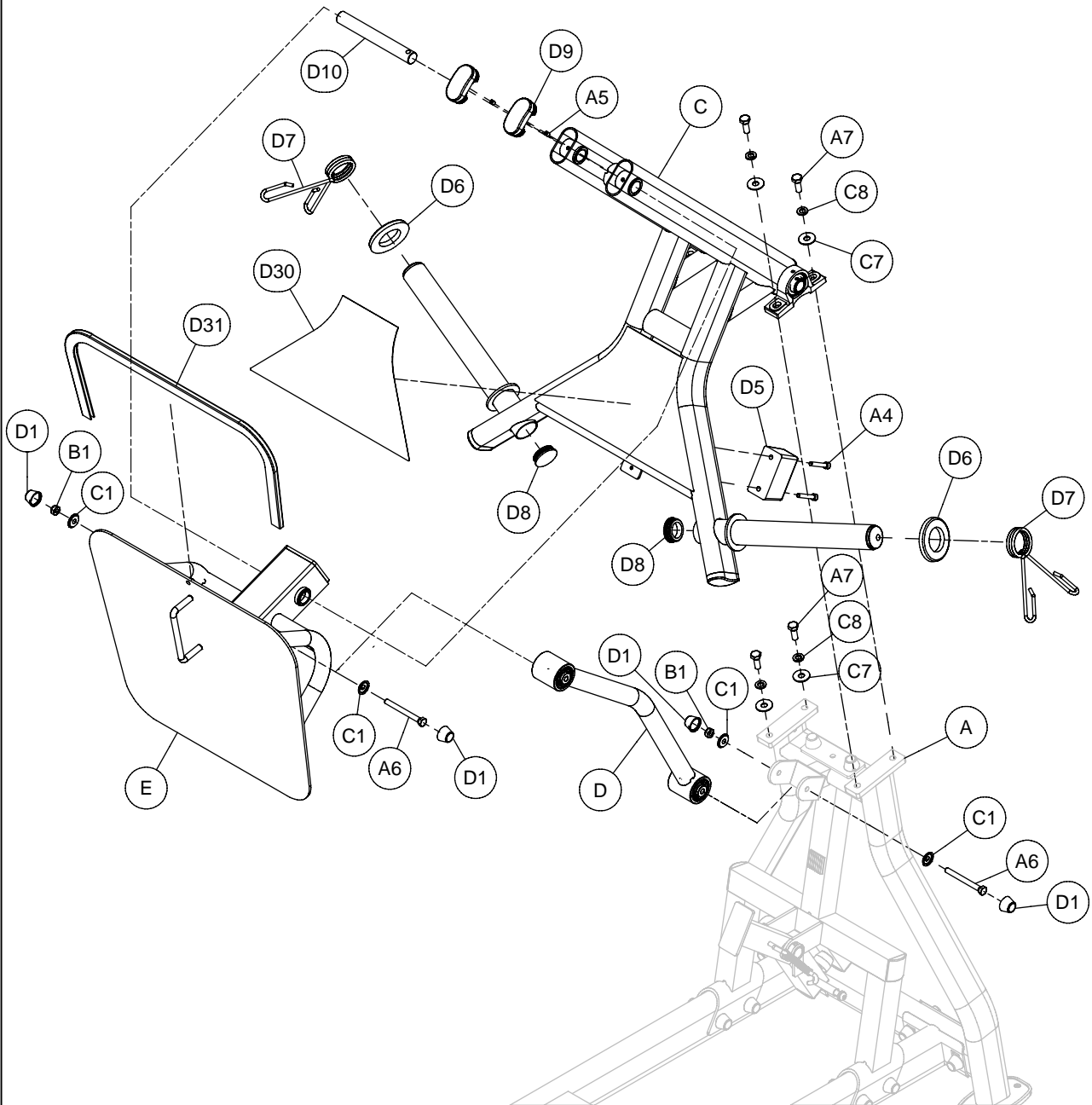


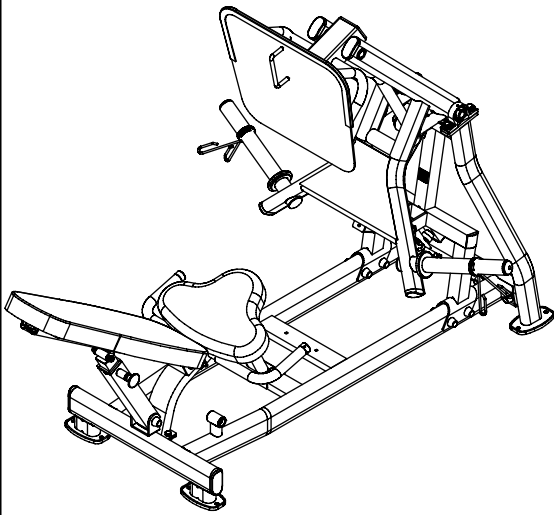
Above shows STEP 1
assembled and completed



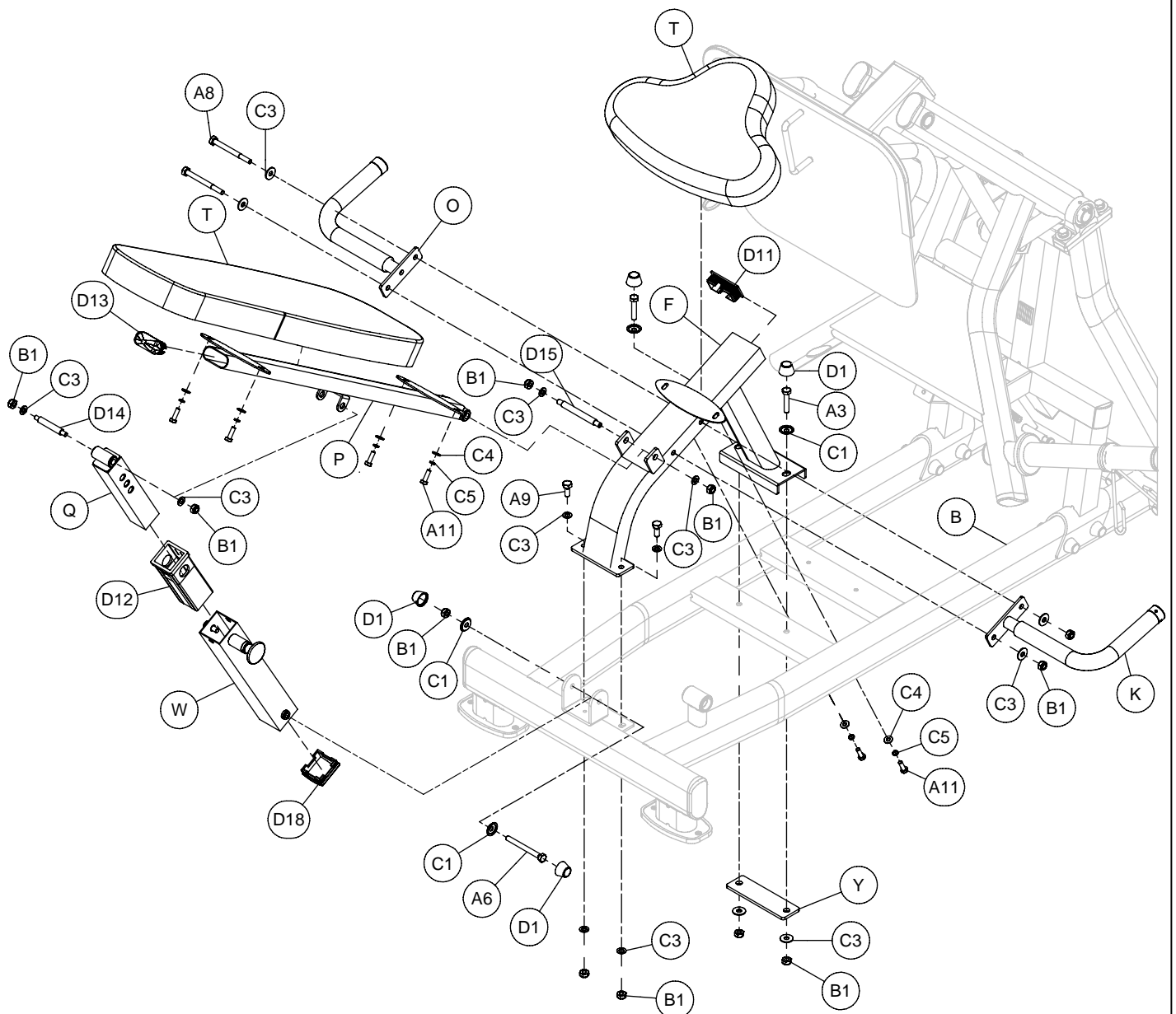


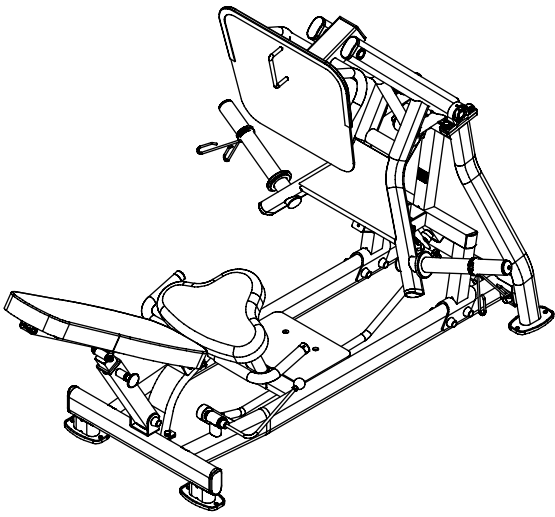
Above shows STEP 2
assembled and completed



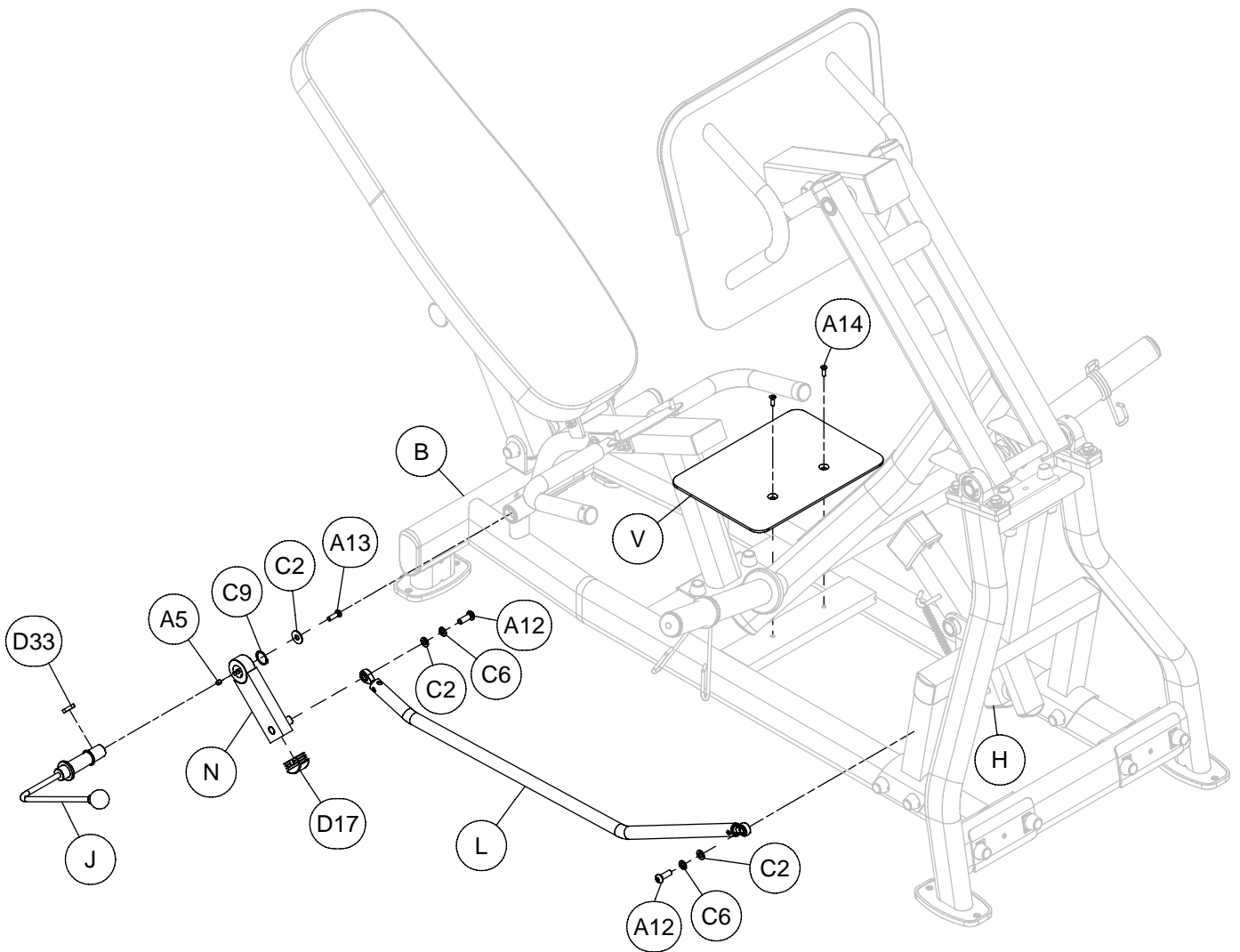


Above shows STEP 3 assembled and completed





Above shows STEP 4 assembled and completed



PLL.P.1

Exploded View

